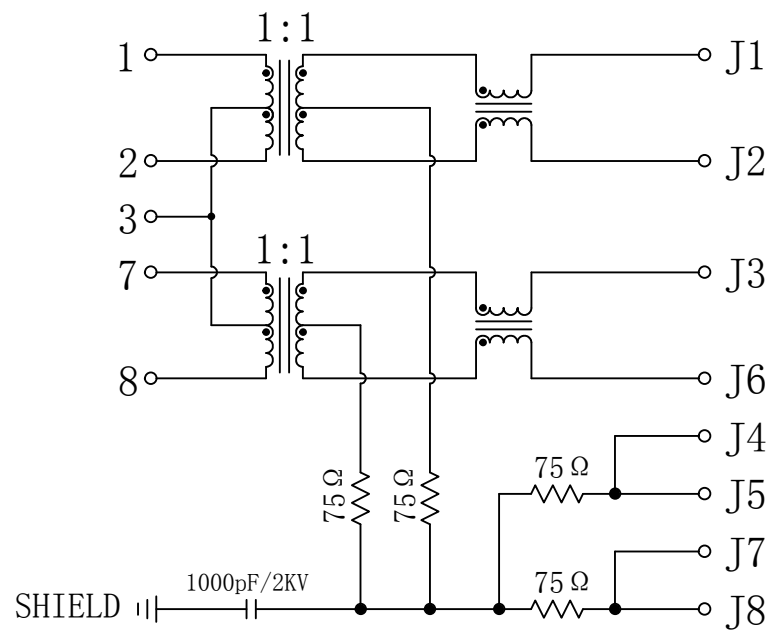


# Schematic:

REV.	ECN NO.	DESCRIPTION	DATE	APPD
A	REL		05/11/2015	

PC BOARD CONNECTIONS



RJ45 CONNECTOR

## ELECTRICAL SPECIFICATIONS @25°C

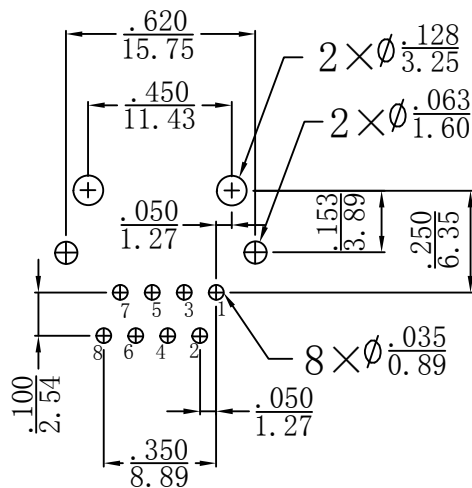
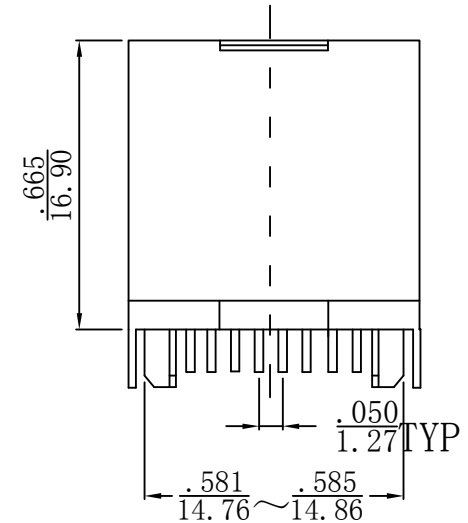
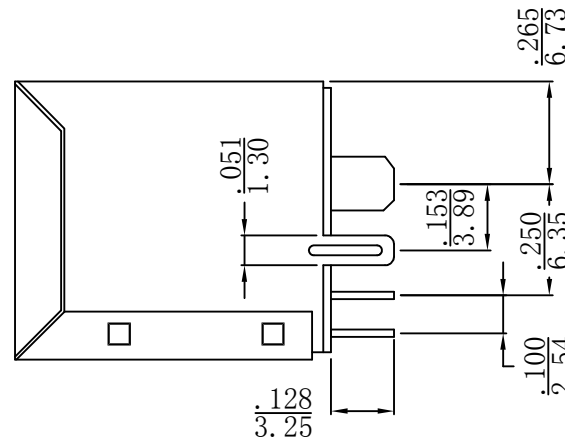
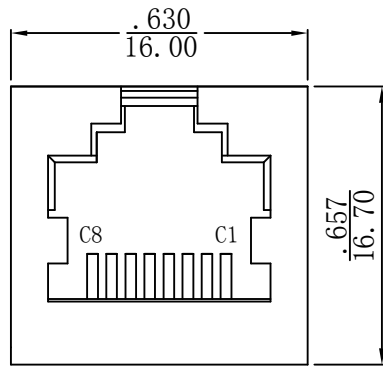
- Turn Ratio ( $\pm 2\%$ ):  
TX=1:1      RX=1:1
- Inductance OCL:  
350uH MIN@100KHz/0.1V, 8mA DC Bias
- Insertion Loss:  
-1.0dB MAX @1-100MHz
- Return Loss:  
-18dB MIN @1-30MHz  
-16dB MIN @30-60MHz  
-12dB MIN @60-80MHz
- Cross talk:  
-30dB MIN @1-100MHz
- Common Mode Rejection:  
-30dB MIN @1-100MHz
- Hipot Test: 1500Vrms MIN
- Operating Temperature Range: 0°C TO 70°C



X:X	$\pm 0.20$	APPD:	LINK-PP INT'L TECHNOLOGY CO., LIMITED
X:XX	$\pm 0.10$	CHKD:	
X:XXX	$\pm 0.05$	DR: TOM	
ANGLES	$\pm 1^\circ$	UNIT: Inches/mm	TITLE: Vertical RJ45 Connector With 10/100 Magnetic
			PART NO.: LPJD0013DNL
	SCALE: 2/1	SHEET: 1/2	REV: A      DWG NO.: LP091223129

# Mechanical:

REV.	ECN NO.	DESCRIPTION	DATE	APPD
A	REL		05/11/2015	



SUGGESTED PCB LAYOUT (TOP VIEW)



## NOTES:

1. Designed to support application, such as SOHO (ADSL modems), LAN-on-Motherboard (LOM), hub and Switches.
2. Meets IEEE 802.3 specification
3. Connector Materials:  
Housing: Thermoplastic UL94V-0  
Contact/Shield: Copper alloy  
Shield plating: Nickel  
Contact plating: Gold 6 micro-inches min. In contact area.
4. Wave solder tip temperature: 265°C Max  
Wave solder tip temperature time: 5 Sec Max

X:X	± 0.20	APPD:	LINK-PP INT'L TECHNOLOGY CO., LIMITED
X:XX	± 0.10	CHKD:	
X:XXX	± 0.05	DR: TOM	TITLE: Vertical RJ45 Connector With 10/100 Magnetic
ANGLES	± 1°	UNIT: Inches/mm	PART NO.: LPJD0013DNL
	SCALE: 2/1	SHEET: 2/2	REV: A
			DWG NO.: LP091223129

Sales Department A-B2

Sales Engineer / Summer Ming - 明夏

Tel: 0086-752-3322915      Mob: 0086-180-2668-6530

Fax: 0086-752-3161926

E-mail: Summer@link-pp.com

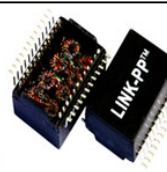
www.link-pp.com

LINK- PP INT'L TECHNOLOGY CO., LIMITED

Jia An Industrial Park, Chenjiang Rd, Zhongkai Hightech Zone, Huizhou City,  
516003, China



  
**RoHS**



LINK- PP INT'L TECHNOLOGY CO., LIMITED

Seris : LPJXXXXXXXX/ LPXXXXXXXX/ LPAXXXXXXX